

Leveling Feet

Steel Sheet Metal, with Rubber Pad, with Mounting Flange

SPECIFICATION

Type (Base plate)

Type **A1**: Steel, zinc plated, rubber inlaid, black

Type **A5**: Steel, plastic coated black, rubber inlaid, black

Version

- Version **S**: Without nut, external hex at the bottom
- Version **SK**: With nut, external hex at the bottom
- Version **U**: Without nut, hex socket at the top and wrench flat at the bottom
- Version **UK**: With nut, hex socket at the top and wrench flat at the bottom
- Version **X**: External hex with internal thread

Base plate, steel sheet metal

- Type **A1**:

Steel, zinc plated, blue passivated

- Type **A5**:

Steel, powder coated
Black, RAL 9005

Flange, sheet metal

Steel, zinc plated, blue passivated

Threaded stem

Steel, zinc plated, blue passivated

Hex nut ISO 4032

Steel, zinc plated, blue passivated

Rubber pad, inlaid

Black, NBR (Perbunan®)
80±5 Shore A

INFORMATION

Leveling feet GN 32 will be delivered mounted and are not removable.

TECHNICAL INFORMATION

- Elastomer Characteristics (see page A32)
- Load Rating Information (see page A35)

LOAD RATING OF LEVELING FEET

Information

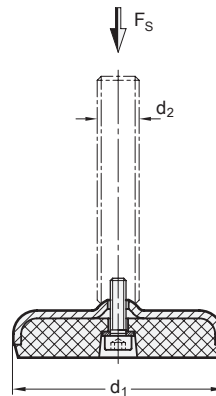
The static load bearing capacity given in the table rests on a test series in which the load has been applied perpendicular to the base plate. For the values given in the table, the strain relief may result in minor deformations of the base plate. Bending and buckling stress which often occurs in practice results in a lower load bearing capacity of the adjustment spindle and may have to be taken into account.

Also, the spindle strength is assumed to be $\geq 500 \text{ N/mm}^2$. The details given on strength are nonbinding guide values without any liability. In general, they do not constitute a warranty of quality.

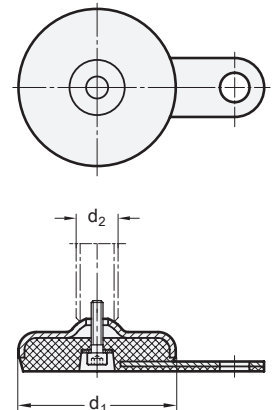
The user must determine from case to case if a product is suitable for the intended purpose or use. Environmental factors may influence the stated values.



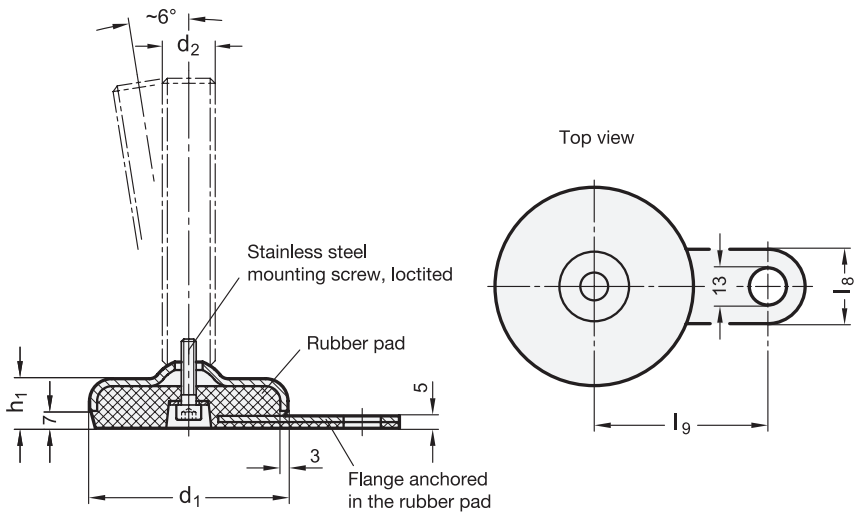
GN 30



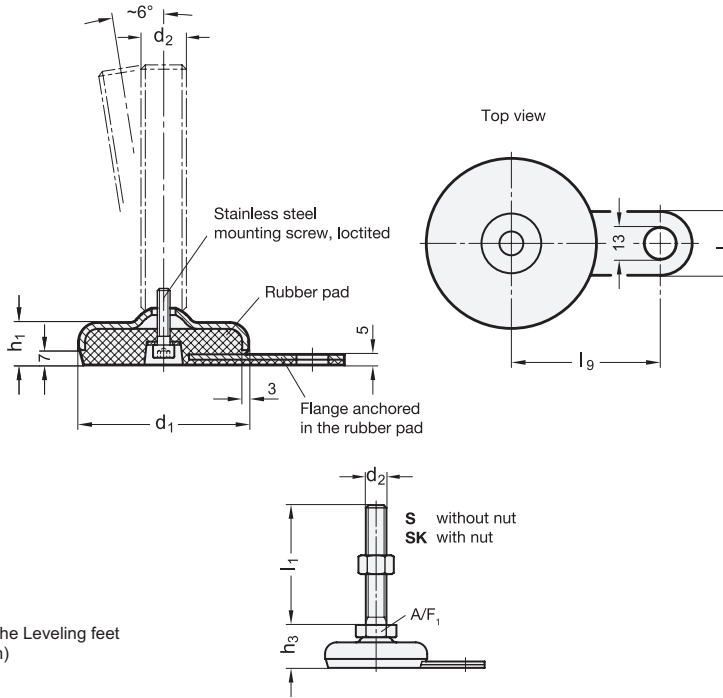
GN 32



Versions of threaded stem		
<p>S / SK: External hex at the bottom at d_2 M 8, M 10, M 12</p>	<p>U / UK: Hex socket at the top and wrench flat at the bottom at d_2 M 16, M 20, M 24</p>	<p>X: External hex with internal thread at d_2 M 8, M 10, M 12, M 16, M 20</p>



- 1
- 2
- 3
- 4
- 5
- 6
- 7
- 8
- 9
- 10
- 11
- 12
- 13
- 14
- 15
- 16
- 17
- 18
- 19
- 20
- 21



* Complete with version of the Leveling feet (External hex at the bottom)

S without nut
SK with nut

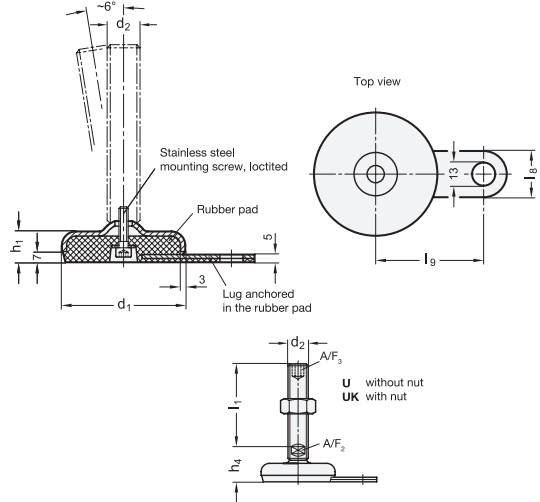
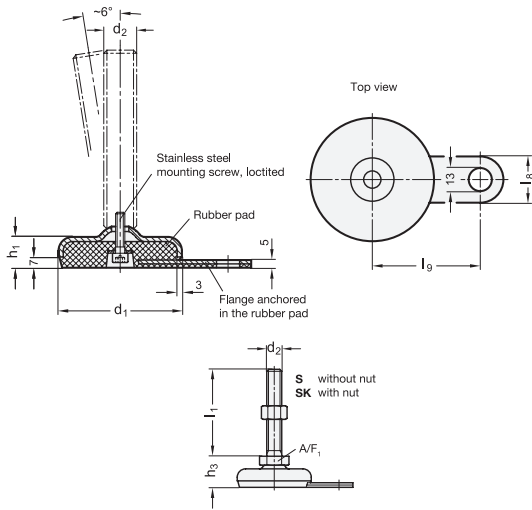
GN 32-S/SK

Description	d ₁	d ₂	l ₁	h ₁	h ₃	l ₈	l ₉	A/F 1	⚖️
GN 32-50-M8-40-A1-*	50	M 8	40	18	26	25	45	17	130
GN 32-50-M8-40-A5-*	50	M 8	40	18	26	25	45	17	130
GN 32-50-M8-50-A1-*	50	M 8	50	18	26	25	45	17	130
GN 32-50-M8-50-A5-*	50	M 8	50	18	26	25	45	17	130
GN 32-50-M8-63-A1-*	50	M 8	63	18	26	25	45	17	140
GN 32-50-M8-63-A5-*	50	M 8	63	18	26	25	45	17	140
GN 32-50-M10-50-A1-*	50	M 10	50	18	26	25	45	17	130
GN 32-50-M10-50-A5-*	50	M 10	50	18	26	25	45	17	130
GN 32-50-M10-60-A1-*	50	M 10	60	18	26	25	45	17	149
GN 32-50-M10-60-A5-*	50	M 10	60	18	26	25	45	17	149
GN 32-50-M10-80-A1-*	50	M 10	80	18	26	25	45	17	150
GN 32-50-M10-80-A5-*	50	M 10	80	18	26	25	45	17	150
GN 32-50-M10-100-A1-*	50	M 10	100	18	26	25	45	17	170
GN 32-50-M10-100-A5-*	50	M 10	100	18	26	25	45	17	170
GN 32-50-M12-60-A1-*	50	M 12	60	18	26	25	45	17	160
GN 32-50-M12-60-A5-*	50	M 12	60	18	26	25	45	17	160
GN 32-50-M12-80-A1-*	50	M 12	80	18	26	25	45	17	170
GN 32-50-M12-80-A5-*	50	M 12	80	18	26	25	45	17	170
GN 32-50-M12-100-A1-*	50	M 12	100	18	26	25	45	17	195
GN 32-50-M12-100-A5-*	50	M 12	100	18	26	25	45	17	195
GN 32-50-M12-125-A1-*	50	M 12	125	18	26	25	45	17	200
GN 32-50-M12-125-A5-*	50	M 12	125	18	26	25	45	17	200
GN 32-60-M8-40-A1-*	60	M 8	40	19	27	25	50	17	180
GN 32-60-M8-40-A5-*	60	M 8	40	19	27	25	50	17	180
GN 32-60-M8-50-A1-*	60	M 8	50	19	27	25	50	17	170
GN 32-60-M8-50-A5-*	60	M 8	50	19	27	25	50	17	170
GN 32-60-M8-63-A1-*	60	M 8	63	19	27	25	50	17	180
GN 32-60-M8-63-A5-*	60	M 8	63	19	27	25	50	17	180
GN 32-60-M10-50-A1-*	60	M 10	50	19	27	25	50	17	200
GN 32-60-M10-50-A5-*	60	M 10	50	19	27	25	50	17	200
GN 32-60-M10-60-A1-*	60	M 10	60	19	27	25	50	17	200
GN 32-60-M10-60-A5-*	60	M 10	60	19	27	25	50	17	200
GN 32-60-M10-80-A1-*	60	M 10	80	19	27	25	50	17	250

GN 32-S/SK

Description	d ₁	d ₂	l ₁	h ₁	h ₃	l ₈	l ₉	A/F 1	⚖️
GN 32-60-M10-80-A5-*	60	M 10	80	19	27	25	50	17	250
GN 32-60-M10-100-A1-*	60	M 10	100	19	27	25	50	17	291
GN 32-60-M10-100-A5-*	60	M 10	100	19	27	25	50	17	291
GN 32-60-M12-60-A1-*	60	M 12	60	19	27	25	50	17	200
GN 32-60-M12-60-A5-*	60	M 12	60	19	27	25	50	17	200
GN 32-60-M12-80-A1-*	60	M 12	80	19	27	25	50	17	230
GN 32-60-M12-80-A5-*	60	M 12	80	19	27	25	50	17	230
GN 32-60-M12-100-A1-*	60	M 12	100	19	27	25	50	17	242
GN 32-60-M12-100-A5-*	60	M 12	100	19	27	25	50	17	242
GN 32-60-M12-125-A1-*	60	M 12	125	19	27	25	50	17	260
GN 32-60-M12-125-A5-*	60	M 12	125	19	27	25	50	17	260
GN 32-80-M8-40-A1-*	80	M 8	40	20	28	30	70	17	300
GN 32-80-M8-40-A5-*	80	M 8	40	20	28	30	70	17	300
GN 32-80-M8-50-A1-*	80	M 8	50	20	28	30	70	17	304
GN 32-80-M8-50-A5-*	80	M 8	50	20	28	30	70	17	304
GN 32-80-M8-63-A1-*	80	M 8	63	20	28	30	70	17	307
GN 32-80-M8-63-A5-*	80	M 8	63	20	28	30	70	17	307
GN 32-80-M10-50-A1-*	80	M 10	50	20	28	30	70	17	334
GN 32-80-M10-50-A5-*	80	M 10	50	20	28	30	70	17	334
GN 32-80-M10-60-A1-*	80	M 10	60	20	28	30	70	17	339
GN 32-80-M10-60-A5-*	80	M 10	60	20	28	30	70	17	339
GN 32-80-M10-80-A1-*	80	M 10	80	20	28	30	70	17	348
GN 32-80-M10-80-A5-*	80	M 10	80	20	28	30	70	17	348
GN 32-80-M10-100-A1-*	80	M 10	100	20	28	30	70	17	380
GN 32-80-M10-100-A5-*	80	M 10	100	20	28	30	70	17	380

Weight version S



* Complete with version of the Leveling feet
(External hex at the bottom)

S without nut **SK** with nut

GN 32-S/SK

Description	d1	d2	l1	h1	h3	l8	l9	A/F 1	Δ
GN 32-80-M12-60-A1-*	80	M 12	60	20	28	30	70	17	340
GN 32-80-M12-60-A5-*	80	M 12	60	20	28	30	70	17	340
GN 32-80-M12-80-A1-*	80	M 12	80	20	28	30	70	17	320
GN 32-80-M12-80-A5-*	80	M 12	80	20	28	30	70	17	320
GN 32-80-M12-100-A1-*	80	M 12	100	20	28	30	70	17	340
GN 32-80-M12-100-A5-*	80	M 12	100	20	28	30	70	17	340
GN 32-80-M12-125-A1-*	80	M 12	125	20	28	30	70	17	380
GN 32-80-M12-125-A5-*	80	M 12	125	20	28	30	70	17	380
GN 32-100-M8-40-A1-*	100	M 8	40	21	29	30	80	17	426
GN 32-100-M8-40-A5-*	100	M 8	40	21	29	30	80	17	426
GN 32-100-M8-50-A1-*	100	M 8	50	21	29	30	80	17	430
GN 32-100-M8-50-A5-*	100	M 8	50	21	29	30	80	17	430
GN 32-100-M8-63-A1-*	100	M 8	63	21	29	30	80	17	433
GN 32-100-M8-63-A5-*	100	M 8	63	21	29	30	80	17	433
GN 32-100-M10-50-A1-*	100	M 10	50	21	29	30	80	17	460
GN 32-100-M10-50-A5-*	100	M 10	50	21	29	30	80	17	460
GN 32-100-M10-60-A1-*	100	M 10	60	21	29	30	80	17	465
GN 32-100-M10-60-A5-*	100	M 10	60	21	29	30	80	17	465
GN 32-100-M10-80-A1-*	100	M 10	80	21	29	30	80	17	474
GN 32-100-M10-80-A5-*	100	M 10	80	21	29	30	80	17	474
GN 32-100-M10-100-A1-*	100	M 10	100	21	29	30	80	17	484
GN 32-100-M10-100-A5-*	100	M 10	100	21	29	30	80	17	484
GN 32-100-M12-60-A1-*	100	M 12	60	21	29	30	80	17	477
GN 32-100-M12-60-A5-*	100	M 12	60	21	29	30	80	17	477
GN 32-100-M12-80-A1-*	100	M 12	80	21	29	30	80	17	492
GN 32-100-M12-80-A5-*	100	M 12	80	21	29	30	80	17	492
GN 32-100-M12-100-A1-*	100	M 12	100	21	29	30	80	17	500
GN 32-100-M12-100-A5-*	100	M 12	100	21	29	30	80	17	500
GN 32-100-M12-125-A1-*	100	M 12	125	21	29	30	80	17	520
GN 32-100-M12-125-A5-*	100	M 12	125	21	29	30	80	17	520

Weight version S

* Complete with version of the Leveling feet
(Hex socket at the top / Wrench at the bottom)

U without nut **UK** with nut

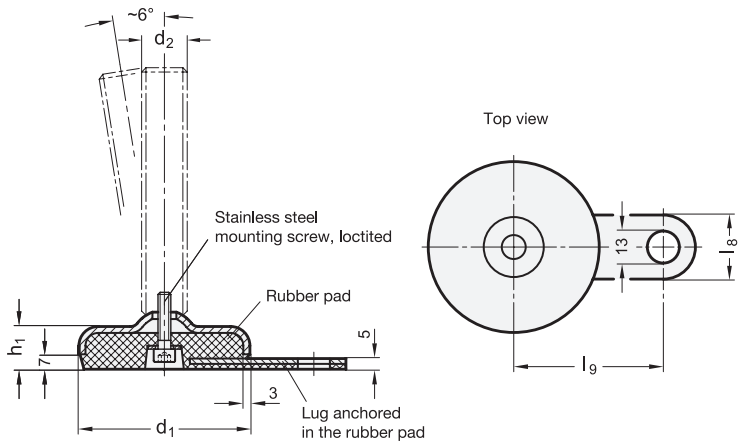
GN 32-U/UK

Description	d1	d2	l1	h1	h4	l8	l9	A/F 2	A/F 3	Δ
GN 32-50-M16-75-A1-*	50	M 16	75	18	32	25	45	12	8	214
GN 32-50-M16-75-A5-*	50	M 16	75	18	32	25	45	12	8	214
GN 32-50-M16-100-A1-*	50	M 16	100	18	32	25	45	12	8	250
GN 32-50-M16-100-A5-*	50	M 16	100	18	32	25	45	12	8	250
GN 32-50-M16-125-A1-*	50	M 16	125	18	32	25	45	12	8	280
GN 32-50-M16-125-A5-*	50	M 16	125	18	32	25	45	12	8	280
GN 32-50-M16-150-A1-*	50	M 16	150	18	32	25	45	12	8	330
GN 32-50-M16-150-A5-*	50	M 16	150	18	32	25	45	12	8	330
GN 32-50-M16-200-A1-*	50	M 16	200	18	32	25	45	12	8	380
GN 32-50-M16-200-A5-*	50	M 16	200	18	32	25	45	12	8	380
GN 32-50-M16-250-A1-*	50	M 16	250	18	32	25	45	12	8	698
GN 32-50-M16-250-A5-*	50	M 16	250	18	32	25	45	12	8	698
GN 32-60-M16-75-A1-*	60	M 16	75	19	33	25	50	12	8	260
GN 32-60-M16-75-A5-*	60	M 16	75	19	33	25	50	12	8	260
GN 32-60-M16-100-A1-*	60	M 16	100	19	33	25	50	12	8	280
GN 32-60-M16-100-A5-*	60	M 16	100	19	33	25	50	12	8	280
GN 32-60-M16-125-A1-*	60	M 16	125	19	33	25	50	12	8	286
GN 32-60-M16-125-A5-*	60	M 16	125	19	33	25	50	12	8	286
GN 32-60-M16-150-A1-*	60	M 16	150	19	33	25	50	12	8	360
GN 32-60-M16-150-A5-*	60	M 16	150	19	33	25	50	12	8	360
GN 32-60-M16-200-A1-*	60	M 16	200	19	33	25	50	12	8	430
GN 32-60-M16-200-A5-*	60	M 16	200	19	33	25	50	12	8	430

Weight version U

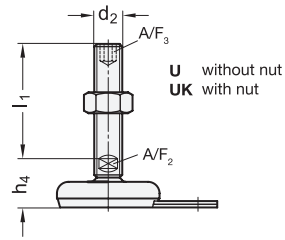


Levelling elements 11



* Complete with version of the Leveling feet (Hex socket at the top / Wrench at the bottom)

U without nut
UK with nut



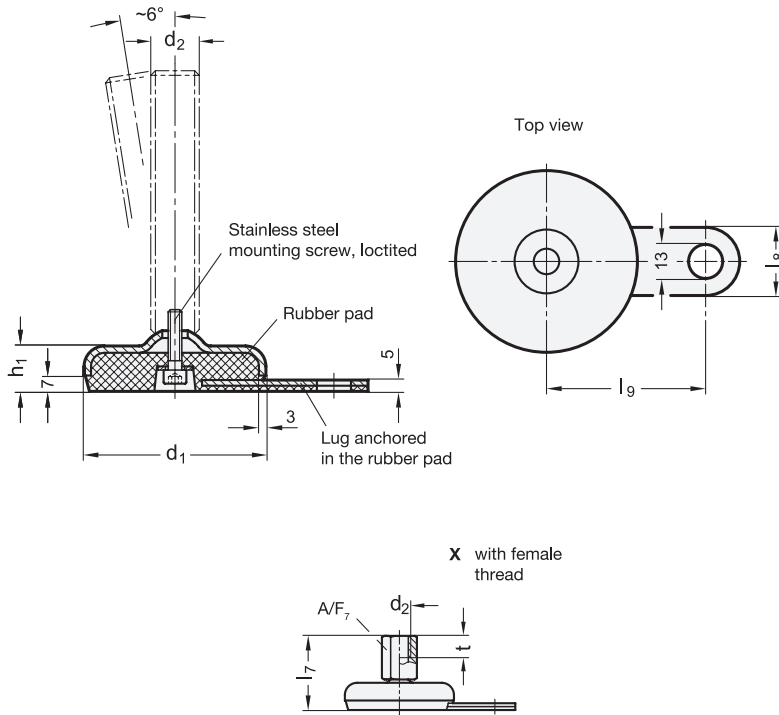
GN 32-U/UK

Description	d ₁	d ₂	l ₁	h ₁	h ₄	l ₈	l ₉	A/F ₂	A/F ₃	Δ
GN 32-60-M16-250-A1-*	60	M 16	250	19	33	25	50	12	8	748
GN 32-60-M16-250-A5-*	60	M 16	250	19	33	25	50	12	8	748
GN 32-80-M16-75-A1-*	80	M 16	75	20	34	30	70	12	8	380
GN 32-80-M16-75-A5-*	80	M 16	75	20	34	30	70	12	8	380
GN 32-80-M16-100-A1-*	80	M 16	100	20	34	30	70	12	8	417
GN 32-80-M16-100-A5-*	80	M 16	100	20	34	30	70	12	8	417
GN 32-80-M16-125-A1-*	80	M 16	125	20	34	30	70	12	8	440
GN 32-80-M16-125-A5-*	80	M 16	125	20	34	30	70	12	8	440
GN 32-80-M16-150-A1-*	80	M 16	150	20	34	30	70	12	8	477
GN 32-80-M16-150-A5-*	80	M 16	150	20	34	30	70	12	8	477
GN 32-80-M16-200-A1-*	80	M 16	200	20	34	30	70	12	8	550
GN 32-80-M16-200-A5-*	80	M 16	200	20	34	30	70	12	8	550
GN 32-80-M16-250-A1-*	80	M 16	250	20	34	30	70	12	8	868
GN 32-80-M16-250-A5-*	80	M 16	250	20	34	30	70	12	8	868
GN 32-80-M20-75-A1-*	80	M 20	75	20	35	30	70	15	10	450
GN 32-80-M20-75-A5-*	80	M 20	75	20	35	30	70	15	10	450
GN 32-80-M20-100-A1-*	80	M 20	100	20	35	30	70	15	10	480
GN 32-80-M20-100-A5-*	80	M 20	100	20	35	30	70	15	10	480
GN 32-80-M20-125-A1-*	80	M 20	125	20	35	30	70	15	10	540
GN 32-80-M20-125-A5-*	80	M 20	125	20	35	30	70	15	10	540
GN 32-80-M20-150-A1-*	80	M 20	150	20	35	30	70	15	10	600
GN 32-80-M20-150-A5-*	80	M 20	150	20	35	30	70	15	10	600
GN 32-80-M20-200-A1-*	80	M 20	200	20	35	30	70	15	10	680
GN 32-80-M20-200-A5-*	80	M 20	200	20	35	30	70	15	10	680
GN 32-80-M20-250-A1-*	80	M 20	250	20	35	30	70	15	10	1174
GN 32-80-M20-250-A5-*	80	M 20	250	20	35	30	70	15	10	1174
GN 32-80-M24-100-A1-*	80	M 24	100	20	38	30	70	19	12	150
GN 32-80-M24-100-A5-*	80	M 24	100	20	38	30	70	19	12	150
GN 32-80-M24-125-A1-*	80	M 24	125	20	38	30	70	19	12	660
GN 32-80-M24-125-A5-*	80	M 24	125	20	38	30	70	19	12	660
GN 32-80-M24-150-A1-*	80	M 24	150	20	38	30	70	19	12	522
GN 32-80-M24-150-A5-*	80	M 24	150	20	38	30	70	19	12	522
GN 32-80-M24-200-A1-*	80	M 24	200	20	38	30	70	19	12	900
GN 32-80-M24-200-A5-*	80	M 24	200	20	38	30	70	19	12	900
GN 32-80-M24-300-A1-*	80	M 24	300	20	38	30	70	19	12	1775
GN 32-80-M24-300-A5-*	80	M 24	300	20	38	30	70	19	12	1775
GN 32-100-M16-75-A1-*	100	M 16	75	21	35	30	80	12	8	520
GN 32-100-M16-75-A5-*	100	M 16	75	21	35	30	80	12	8	520
GN 32-100-M16-100-A1-*	100	M 16	100	21	35	30	80	12	8	554
GN 32-100-M16-100-A5-*	100	M 16	100	21	35	30	80	12	8	554

GN 32-U/UK

Description	d ₁	d ₂	l ₁	h ₁	h ₄	l ₈	l ₉	A/F ₂	A/F ₃	Δ
GN 32-100-M16-125-A5-*	100	M 16	125	21	35	30	80	12	8	582
GN 32-100-M16-150-A1-*	100	M 16	150	21	35	30	80	12	8	620
GN 32-100-M16-150-A5-*	100	M 16	150	21	35	30	80	12	8	620
GN 32-100-M16-200-A1-*	100	M 16	200	21	35	30	80	12	8	680
GN 32-100-M16-200-A5-*	100	M 16	200	21	35	30	80	12	8	680
GN 32-100-M16-250-A1-*	100	M 16	250	21	35	30	80	12	8	998
GN 32-100-M16-250-A5-*	100	M 16	250	21	35	30	80	12	8	998
GN 32-100-M20-75-A1-*	100	M 20	75	21	36	30	80	15	10	570
GN 32-100-M20-75-A5-*	100	M 20	75	21	36	30	80	15	10	570
GN 32-100-M20-100-A1-*	100	M 20	100	21	36	30	80	15	10	600
GN 32-100-M20-100-A5-*	100	M 20	100	21	36	30	80	15	10	600
GN 32-100-M20-125-A1-*	100	M 20	125	21	36	30	80	15	10	680
GN 32-100-M20-125-A5-*	100	M 20	125	21	36	30	80	15	10	680
GN 32-100-M20-150-A1-*	100	M 20	150	21	36	30	80	15	10	650
GN 32-100-M20-150-A5-*	100	M 20	150	21	36	30	80	15	10	650
GN 32-100-M20-200-A1-*	100	M 20	200	21	36	30	80	15	10	820
GN 32-100-M20-200-A5-*	100	M 20	200	21	36	30	80	15	10	820
GN 32-100-M20-250-A1-*	100	M 20	250	21	36	30	80	15	10	1314
GN 32-100-M20-250-A5-*	100	M 20	250	21	36	30	80	15	10	1314
GN 32-100-M24-100-A1-*	100	M 24	100	21	39	30	80	19	12	740
GN 32-100-M24-100-A5-*	100	M 24	100	21	39	30	80	19	12	740
GN 32-100-M24-125-A1-*	100	M 24	125	21	39	30	80	19	12	780
GN 32-100-M24-125-A5-*	100	M 24	125	21	39	30	80	19	12	780
GN 32-100-M24-150-A1-*	100	M 24	150	21	39	30	80	19	12	800
GN 32-100-M24-150-A5-*	100	M 24	150	21	39	30	80	19	12	800
GN 32-100-M24-200-A1-*	100	M 24	200	21	39	30	80	19	12	1020
GN 32-100-M24-200-A5-*	100	M 24	200	21	39	30	80	19	12	1020
GN 32-100-M24-300-A1-*	100	M 24	300	21	39	30	80	19	12	1895
GN 32-100-M24-300-A5-*	100	M 24	300	21	39	30	80	19	12	1895

Weight version U



GN 32-X

Description	d_1	d_2	l_7	h_1	l_8	l_9	A/F_7	t	
GN 32-50-M8-40-A1-X	50	M 8	40	18	25	45	14	8	150
GN 32-50-M8-40-A5-X	50	M 8	40	18	25	45	14	8	150
GN 32-50-M10-43-A1-X	50	M 10	43	18	25	45	14	10	180
GN 32-50-M10-43-A5-X	50	M 10	43	18	25	45	14	10	180
GN 32-50-M12-47-A1-X	50	M 12	47	18	25	45	17	12	161
GN 32-50-M12-47-A5-X	50	M 12	47	18	25	45	17	12	161
GN 32-50-M16-52-A1-X	50	M 16	52	18	25	45	22	16	252
GN 32-50-M16-52-A5-X	50	M 16	52	18	25	45	22	16	252
GN 32-60-M8-41-A1-X	60	M 8	41	19	25	50	14	8	236
GN 32-60-M8-41-A5-X	60	M 8	41	19	25	50	14	8	236
GN 32-60-M10-44-A1-X	60	M 10	44	19	25	50	14	10	255
GN 32-60-M10-44-A5-X	60	M 10	44	19	25	50	14	10	255
GN 32-60-M12-48-A1-X	60	M 12	48	19	25	50	17	12	180
GN 32-60-M12-48-A5-X	60	M 12	48	19	25	50	17	12	180
GN 32-60-M16-53-A1-X	60	M 16	53	19	25	50	22	16	306
GN 32-60-M16-53-A5-X	60	M 16	53	19	25	50	22	16	306
GN 32-80-M8-42-A1-X	80	M 8	42	20	30	70	14	8	324
GN 32-80-M8-42-A5-X	80	M 8	42	20	30	70	14	8	324
GN 32-80-M10-45-A1-X	80	M 10	45	20	30	70	14	10	322
GN 32-80-M10-45-A5-X	80	M 10	45	20	30	70	14	10	322

GN 32-X

Description	d_1	d_2	l_7	h_1	l_8	l_9	A/F_7	t	
GN 32-80-M12-49-A1-X	80	M 12	49	20	30	70	17	12	300
GN 32-80-M12-49-A5-X	80	M 12	49	20	30	70	17	12	300
GN 32-80-M16-54-A1-X	80	M 16	54	20	30	70	22	16	373
GN 32-80-M16-54-A5-X	80	M 16	54	20	30	70	22	16	373
GN 32-80-M20-62-A1-X	80	M 20	62	20	30	70	27	20	420
GN 32-80-M20-62-A5-X	80	M 20	62	20	30	70	27	20	420
GN 32-100-M8-43-A1-X	100	M 8	43	21	30	80	14	8	450
GN 32-100-M8-43-A5-X	100	M 8	43	21	30	80	14	8	450
GN 32-100-M10-46-A1-X	100	M 10	46	21	30	80	14	10	448
GN 32-100-M10-46-A5-X	100	M 10	46	21	30	80	14	10	448
GN 32-100-M12-50-A1-X	100	M 12	50	21	30	80	17	12	464
GN 32-100-M12-50-A5-X	100	M 12	50	21	30	80	17	12	464
GN 32-100-M16-55-A1-X	100	M 16	55	21	30	80	22	16	499
GN 32-100-M16-55-A5-X	100	M 16	55	21	30	80	22	16	499
GN 32-100-M20-63-A1-X	100	M 20	63	21	30	80	27	20	500
GN 32-100-M20-63-A5-X	100	M 20	63	21	30	80	27	20	500

